



An asymmetrical front zippered pocket keeps small items secure in this cinch pack that can double as a lightweight backpack with its adjustable web straps.

- 210 denier polyester with 600 denier polyester coated canvas
- Reinforced seams
- Dimensions: 18.75”h x 13.5”w

Note: Bags not intended for use by children 12 and under. Includes a California Prop 65 and social responsibility [hangtag](#).

CARE INSTRUCTIONS

Recommend Hand Spot Wash with Damp Cloth and Mild soap; lay flat or hang to dry.

COLOR INFORMATION



Black
NTR BLACK C



Graphite Grey/
Black
NO MATCH



Lime Shock/
Black
368 C



Pink Azalea/
Black
675 C



Tropic Blue/
Black
2222 C



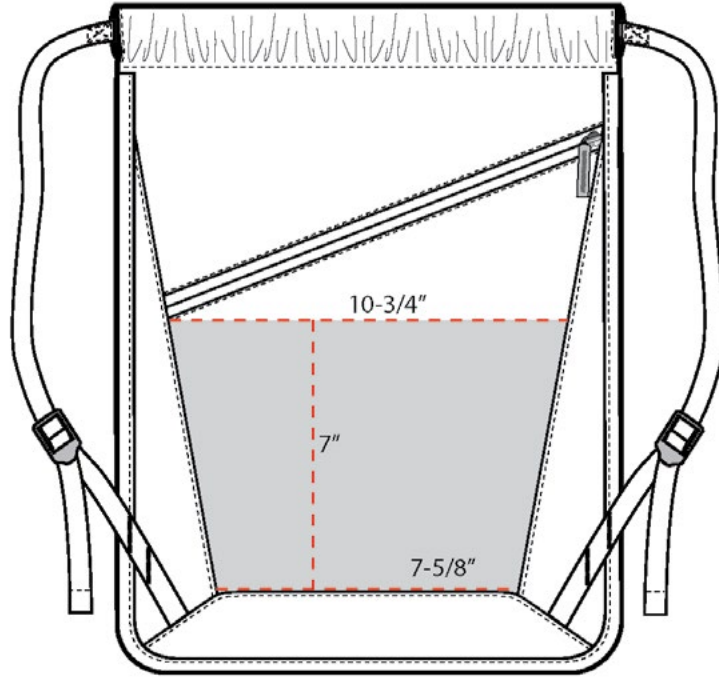
True Navy/
Black
2380 C



True Red/
Black



True Royal/
Black
7687 C



FRONT VIEW



BACK VIEW

Note: Best graphic placement should be per the embellisher/screen printer recommendations.