



- 1,680 ballistic poly (solid); 300D two-tone poly/1,680D poly PU (heather)
- Spacious zippered main compartment
- Back dedicated zippered laptop compartment
- Front zippered pocket with organization panel
- Front hidden zippered pocket
- Seatbelt webbing handles
- Tech nylon zipper pulls
- Removable, adjustable, padded seatbelt webbing shoulder strap
- Tech nylon zipper pulls
- Back zippered panel doubles as luggage trolley pass through
- Laptop sleeve dimensions: 12”h x 16.5”w
- Dimensions: 12”h x 16.5”w x 3”d; Approx. 594 cubic inches

Bags not intended for use by children 12 and under.

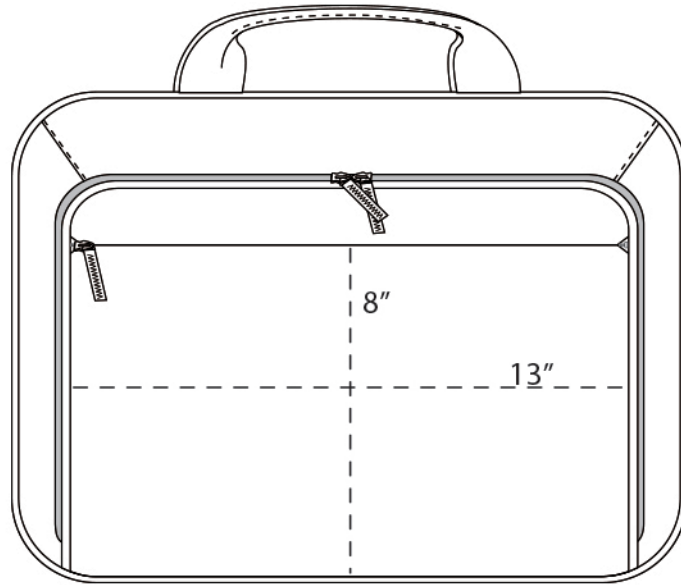
COLOR INFORMATION



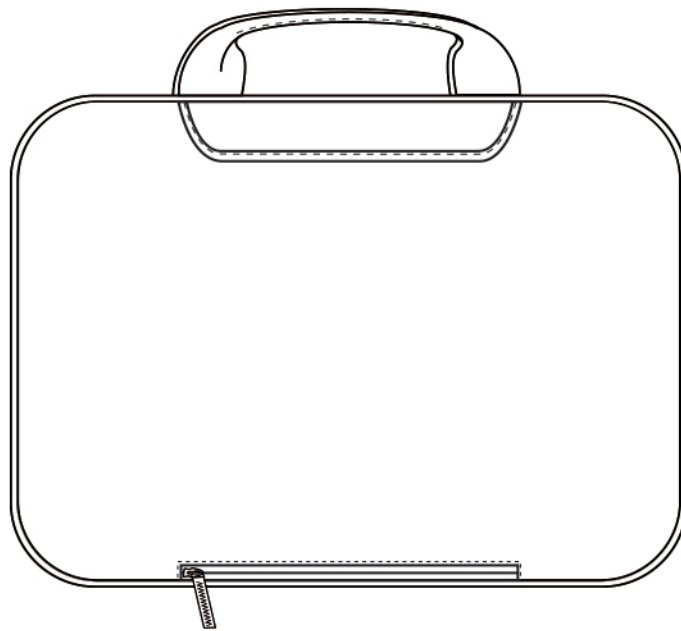
Black
NTR BLACK C



Graphite
Heather/Black
NO MATCH/
NTR BLACK C



FRONT VIEW



BACK VIEW