

Port Authority® Allie Tote B118



Shopping, commuting or sightseeing, Allie is your companion. Contrast lining, striped handles and large metal grommets add a touch of whimsy to this casual tote. The open-top design offers easy access. An interior zippered pocket keeps small essentials secure.

- 11-ounce, 100% garment-washed* cotton canvas
- Webbing handles
- Full-lined
- Dimensions: 15.75”h x 13.25”w x 3.5”d, Approx. 730 cubic inches

*Due to special finishing process, color and distress may vary.

Note: Bags not intended for use by children 12 and under. Includes a California Prop 65 and social responsibility [hangtag](#).

COLOR



Black
PMS 426 C



Bright Orange
PMS 179 C



Navy
PMS 532 C



Purple
PMS 669 C



Sangria
PMS 202 C



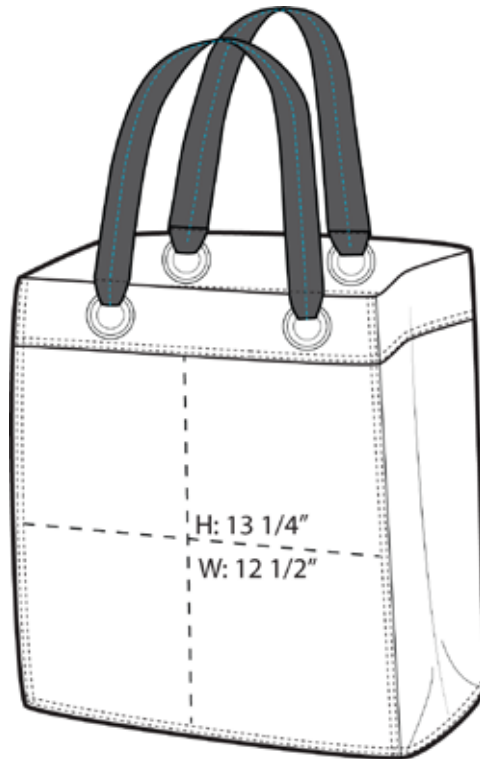
Shock Lime
PMS 368 C



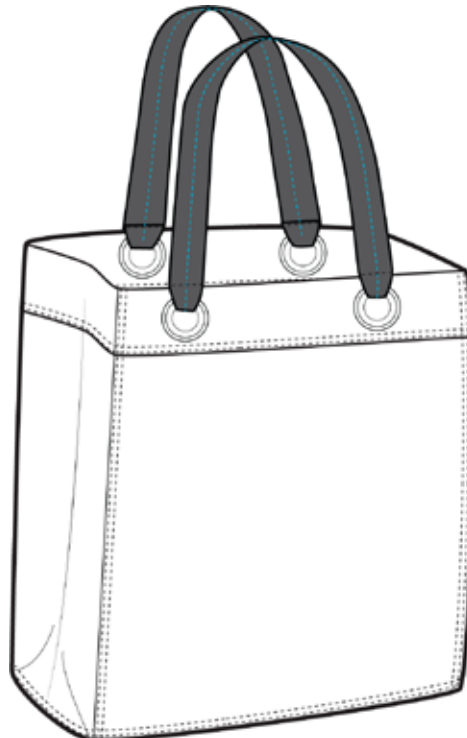
Tropical Pink
PMS 7424 C



Turquoise
PMS 7704 C



Front View



Back View

Note: Best graphic placement should be per the embellisher/screen printer recommendations.